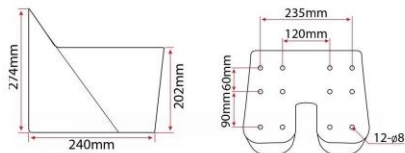


# INTRODUCING... shark Ultra Flo



Description	Overall Dimensions L x W x H (mm)
<b>Shark Plinth</b>	293 x 325 x 274

Single mould for added strength  
Storage compartment.  
12ltrs of storage.



also available with enclosed 200mm tall plinth with 12 litres of sealed internal storage  
(NOTE: forehandle option is not compatible in this case)

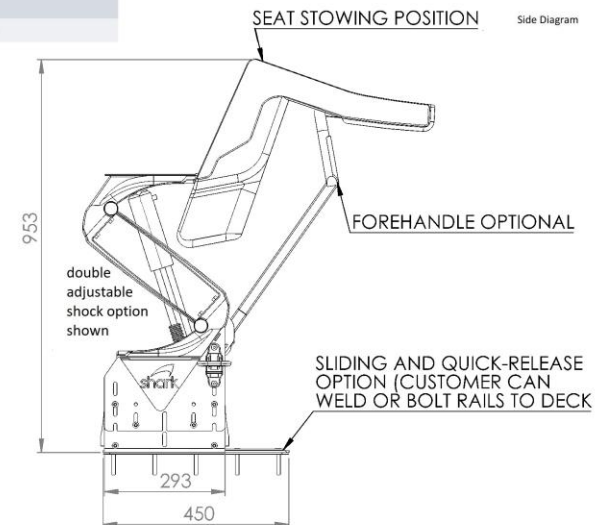
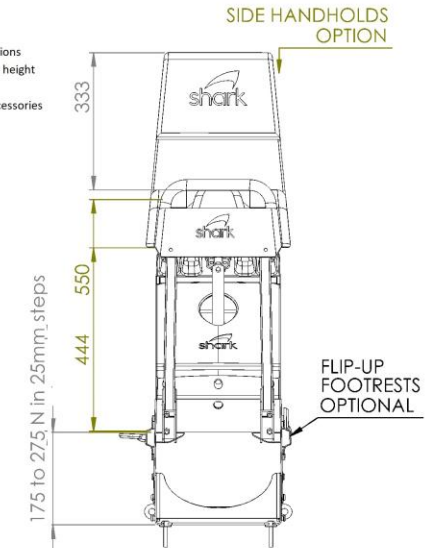


## ULTRA SMOOTH - "when you're serious about saving your back" Suspension Seat - Shark Ultra Flo

Description	Weight Rating (kg)	Shock Travel (mm)	Overall Dimensions L x W x H (mm)
Shark Ultra Flo	40 - 120	200	770x327x900 min 556x327x1170 max

- This model illustrates features which are possible on other models also as options
- The "Flo" tilt forward feature allows you to stow the seat forward and reduce height
- The "Fore-handle" provides a grip for the front passenger in a row of seats
- The "Pro" plinth raises the seat a variable amount and accepts many other accessories
- The Flex suspension unit is simple and has only 3 unique parts.
- Self adjusts for passengers from 40kg to 120kg.
- Exclusive stainless steel shock absorber.
- 3 axis shock mitigation for reduced whiplash from lateral and fore-aft forces.
- Small foot print.
- Non corroding 316G stainless and Flexanite™.
- Polycarbonate and rubber foam seat.
- Easy to clean seat.
- Seat has side grab handles.
- Low maintenance.
- Tested 1 million full 10G impacts (200mm displacement, 100ms duration at 100kg payload).
- Light weight and easy to install.
- Complies with HSC 2000 Annex 10.
- Includes Jockey seat, Shark Flex and Standard Plinth.
- 3 years warranty.

Specification	
Model	Shark Ultra Plus
Material	316G Stainless & Flexanite™
Fastenings	316G Stainless Steel
Weight	15.5kg
Base Dimensions W x H x D (mm)	325 x 650 x 350
Seat Dimensions W x H x D (mm)	355 x 470 x 556
Rated Weight Setting	40kg - 120kg, Self Adjusting
Shock Mitigation System	Progressive 10G Rated Oil & Nitrogen Filled Shock
Shock Travel	200mm
Mounting Holes	8 x Ø8mm



[www.sharkseating.com](http://www.sharkseating.com)